

# Delta model: DPS-200PP-74A



+310V

D903  
VCC from stand-by

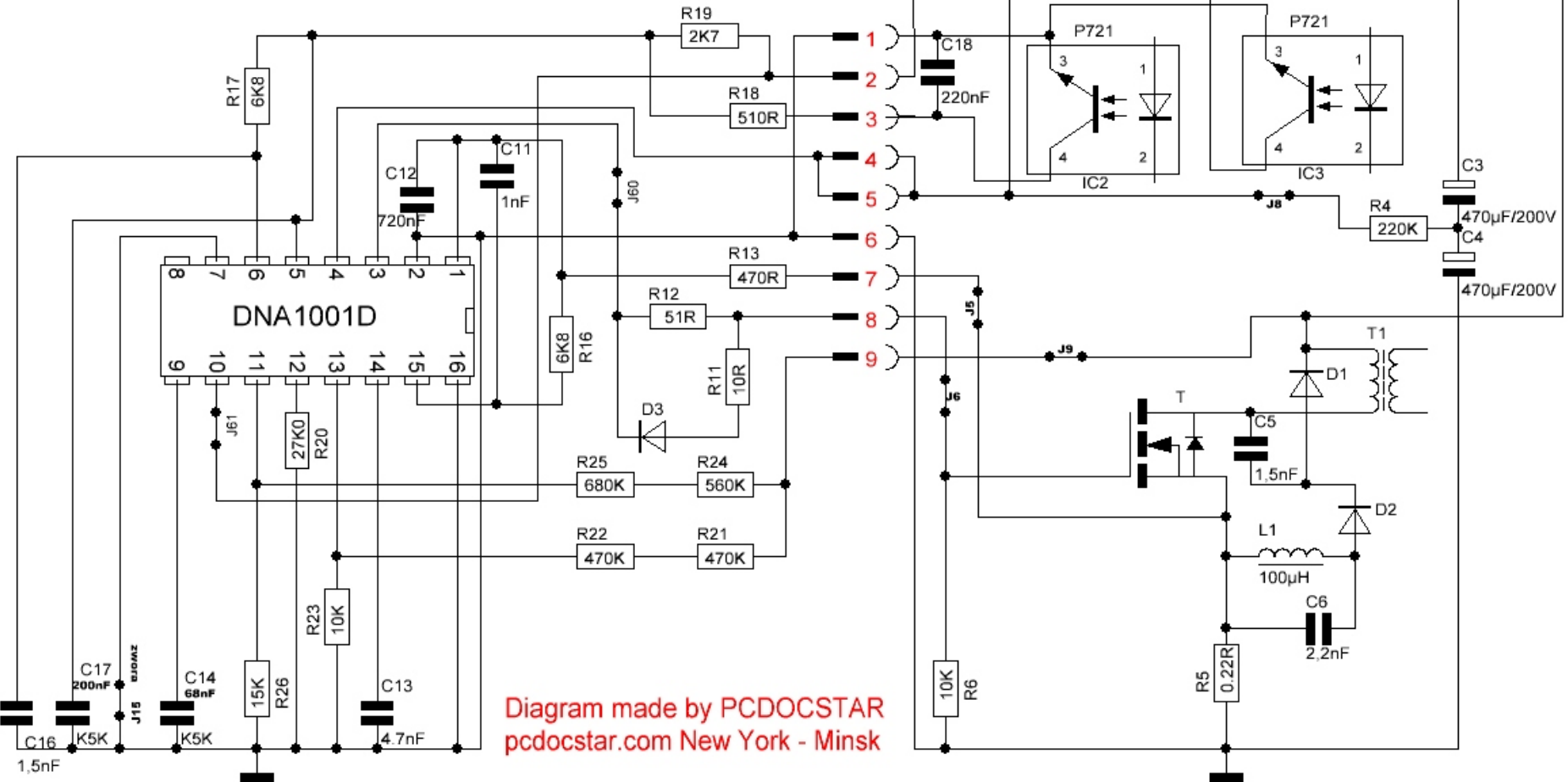


Diagram made by PCDOCSTAR  
pcdocstar.com New York - Minsk